

Ethernet EMV-Protection 100BASE fiber

Type: 4600-0268

- EMC-Protection for industrial Ethernet
- Avoids speed loss of distorted Ethernet lines
- Avoids Production losses caused by distortions
- Fail-safe, isolation via optical fiber (LWL)
- Point to point transparent mode
- **Close to 100% EMC-Security**



Distortions and potential differences in an Ethernet network reduce the performance or cause a total failure of one or more network devices.

It is well known that the quality of the Ethernet connections affects the maximum speed and data integrity within a Network. Industrial or Laboratory Equipments are sensitive to this issue and it is highly recommended to solve this problem.

Also Server or Switches with connection to many different Network devices maybe disturbed if some Ethernet line enter potential differences and distortion into the clean network.

The overall quality of an Ethernet connection is increased by eliminating potential differences and by avoiding the coupling and forwarding of distortions via traditional Ethernet cables.

The Ethernet EMV-Protection 100BASE fiber can simply plugged in between tow Ethernet devices. This eliminates any potential differences, and blocks the distortion or spikes from passing thru. This protects the Ethernet inputs and avoids damages or speed losses caused by spikes or over voltage coupled to the Ethernet cables.

The Ethernet EMV-Protection 100BASE fiber do not need any extra settings or modification to the network. The device works in a transparent mode.

The Ethernet EMV-Protection 100BASE fiber achieve the Isolation by using Fiberglas inside.

Existing networks with copper wiring can be easy protected by inserting the Ethernet EMV-Protection 100Base fiber between a problem line and a clean network

Fail-safe through Ethernet decoupling via (LWL)

Very easy to use due to pluggable connection

Transparent mode point to point Ethernet connection.

Supports IPv4 and IPv6 data transport

Separation between system components with EMC-Load and control panels or server

Typical use is in Shopping centers, factories, connection of far standalone devices and any Network with disturbance problems.

auxiliary power: 12/24 VDC, max. 3,5W

Led display for connection activity and velocity 100Base

DIN rail housing UEG-EU-BE ca. 35 x 127,5 X 172 (W x H x L in mm)

Ambient temperature: -10 to 55°C, 10 to 90% relative air humidity, non-condensing

Article number: 4600-0268
GTIN: 4280001059252
Weight: Ca. 0,400 kg
RoHS: konform

Manufacturer:



Dispose of the product at the end of his life in accordance with the applicable regulatory requirement.

Version: 1.7 March 2016

HWU
Elektronik GmbH

Mail: Office@hwu.de
www.hwu.de

Hamburger Straße 50
D-46145 Oberhausen
Tel: +49 (0) 208 / 61 18 18
Fax: +49 (0) 208 / 61 18 19

Technical modifications and errors excepted

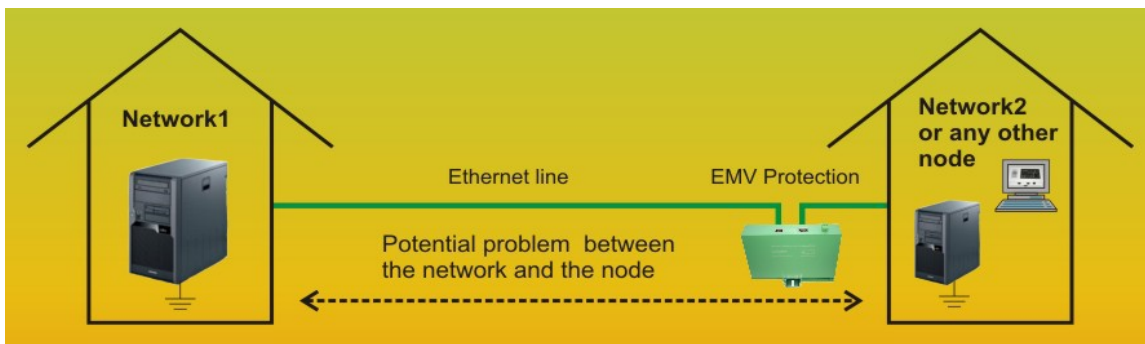
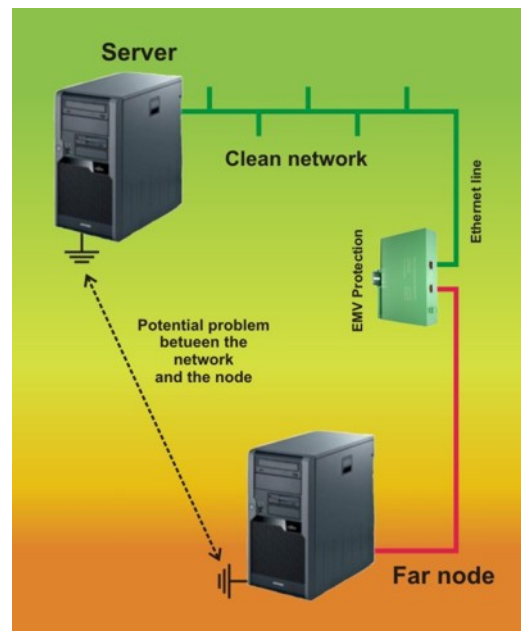
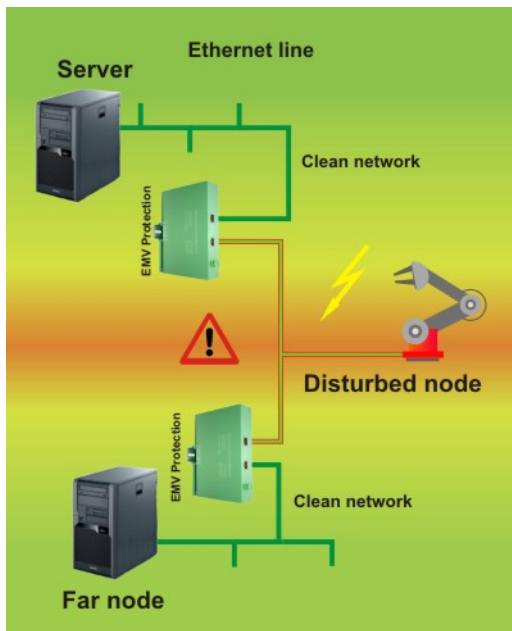
Ethernet EMV-Protection 100BASE fiber

Type: 4600-0268

- EMC-Protection for industrial Ethernet
- Avoids speed loss of distorted Ethernet lines
- Avoids Production losses caused by distortions
- Fail-safe, isolation via optical fiber (LWL)
- Point to point transparent mode
- **Close to 100% EMC-Security**



Connection examples



Article number: 4600-0268
GTIN: 4280001059252
Weight: Ca. 0,400 kg
RoHS: konform



Dispose of the product at the end of his life in accordance with the applicable regulatory requirement.

Manufacturer:

Version: 1.7 March 2016

HWU
Elektronik GmbH

Mail: Office@hwu.de
www.hwu.de

Hamburger Straße 50
D-46145 Oberhausen
Tel: +49 (0) 208 / 61 18 18
Fax: +49 (0) 208 / 61 18 19

Technical modifications and errors excepted